

C-Mount Adapter– P/N C0999_040_000**P/N C0999_041_000****P/N C0999_050_000****P/N C0999_051_000*****General Description***

A very simple device able to adapt any kind of lens interface to the standard C-Mount interface. All the bayonet interfaces, like Canon and Nikon, can be adapted without particular action.

In some special case, this adapter can produce a vignetting phenomena, easily predictable if the lens design available.



154

Outline Dimension

..... & Technical Notes

The technical drawing shows the main dimensions and interfaces in order to guarantee a proper assy (for Canon FD bayonet, but others available too).

More details are available upon request.

The most important value is the BFL (Back Focal Length) of the C-Mount adapter that is 17.525 mm.

The BFL for Canon is 42 mm and the BFL for Nikon is 46.5 mm (only for information).

Specification are subject to change without notice

Parts List					
Pos	Part #	Rev	Object	M.U.	Q.ty
1	C0029_250	000	Baionetta Canon FD	NR	1
2	C0999_103_000	000	C-Mount with filter	NR	1
3	FL150003		Vite S-Testa-Brug M3x4 UNI 5927	NR	3

Customer 1" x 2mm Filter

21,82 ± 0.02 (Q1)

Note:
1. Bloccare elemento in Pos. 3 con Loctite 222

MATERIAL / MATERIALE	SCALE / SCALA (P/N)	PROJECT / SISTEMA	OB SWIR
TREATMENT / COATING / TRATTAMENTO	3:1 DIM. TOLERANCES / TOLL. DIM. ±0.1	OBJECT / DENOMINAZIONE	Adapt. Canon/C-Mount with filter
	DRAWN BY / DIS. mclia	DOCUMENT / DOCUMENTO	DS C0999_040_000
	DATE / DATA 02/09/2009	VERS.	A

Parts List					
Pos	Part #	Rev	Object	M.U.	Q.ty
1	C0029_250	000	Baionetta Canon FD	NR	1
2	C0999_206_000		Adapter Canon/C-Mt with filter	NR	1
3	FL150003		Vite S-Testa-Brug M3x4 UNI 5927	NR	3
4	EM110005		Anello elastico di arresto DIN 472 - 24 x 1,2	NR	1

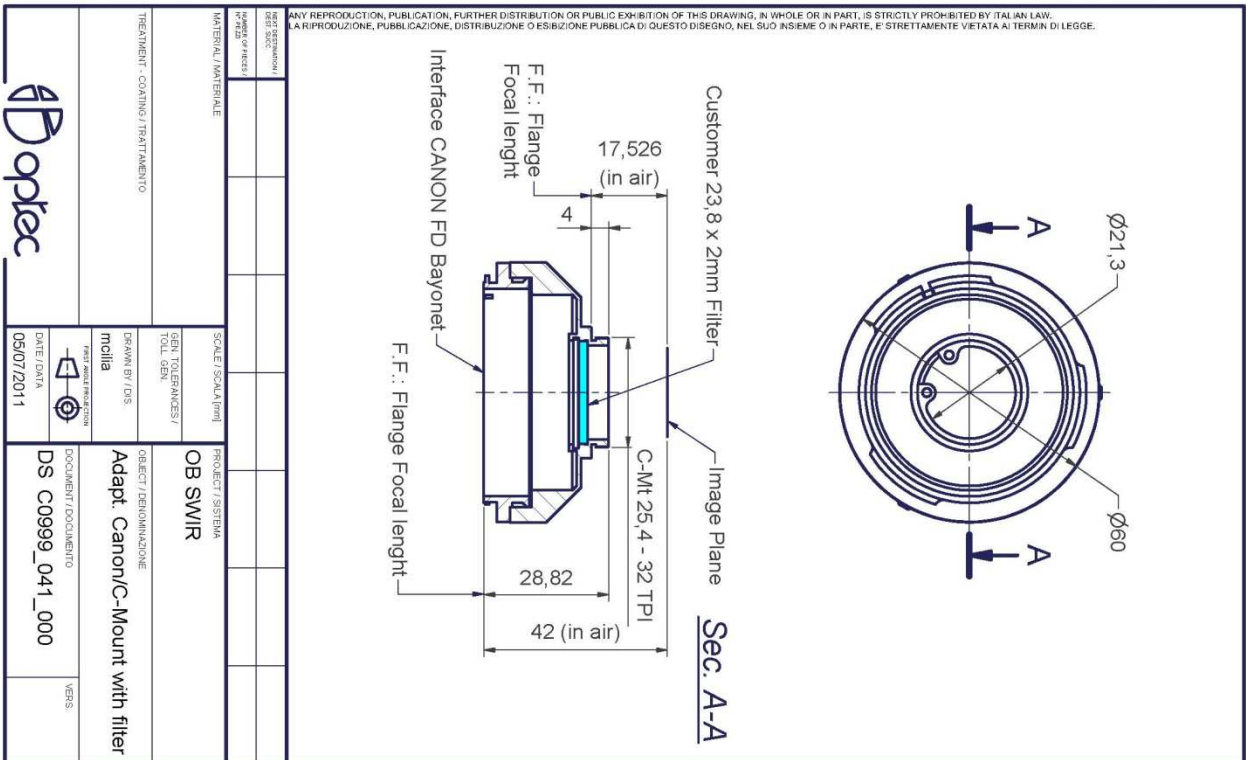
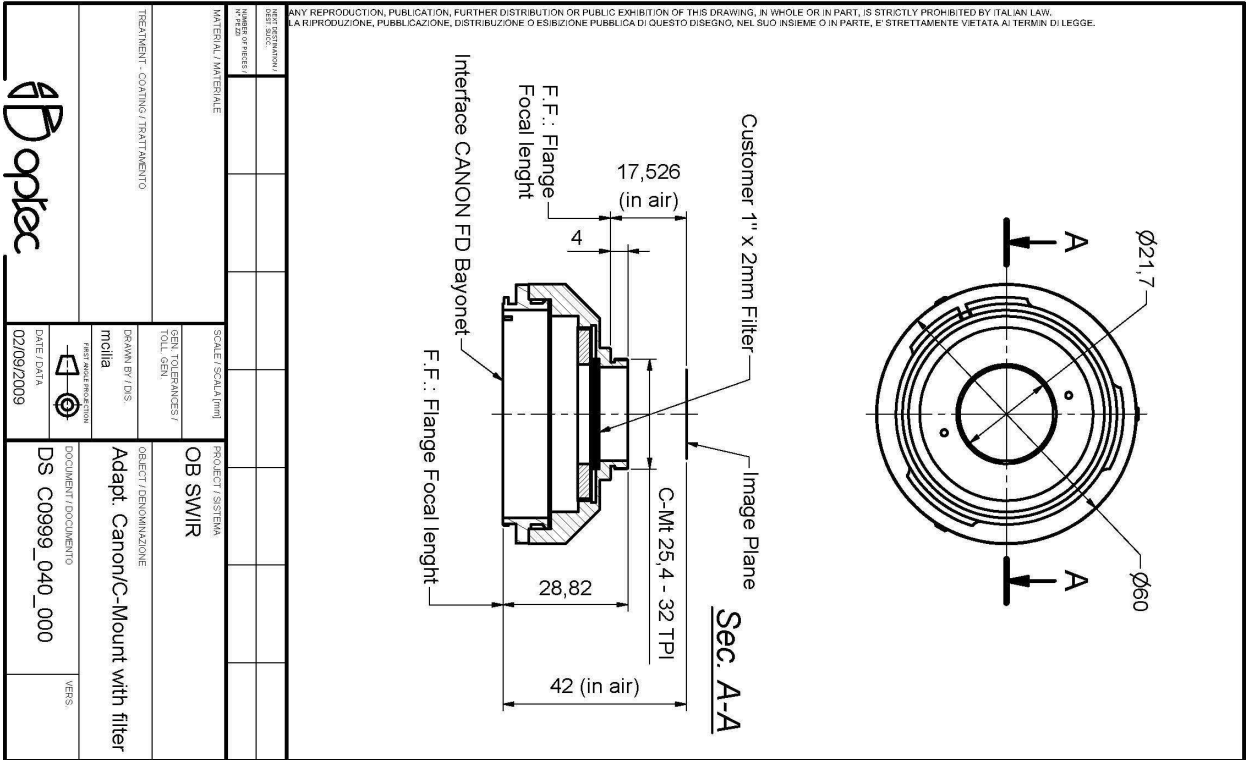
Customer 23.8 x 2mm Filter

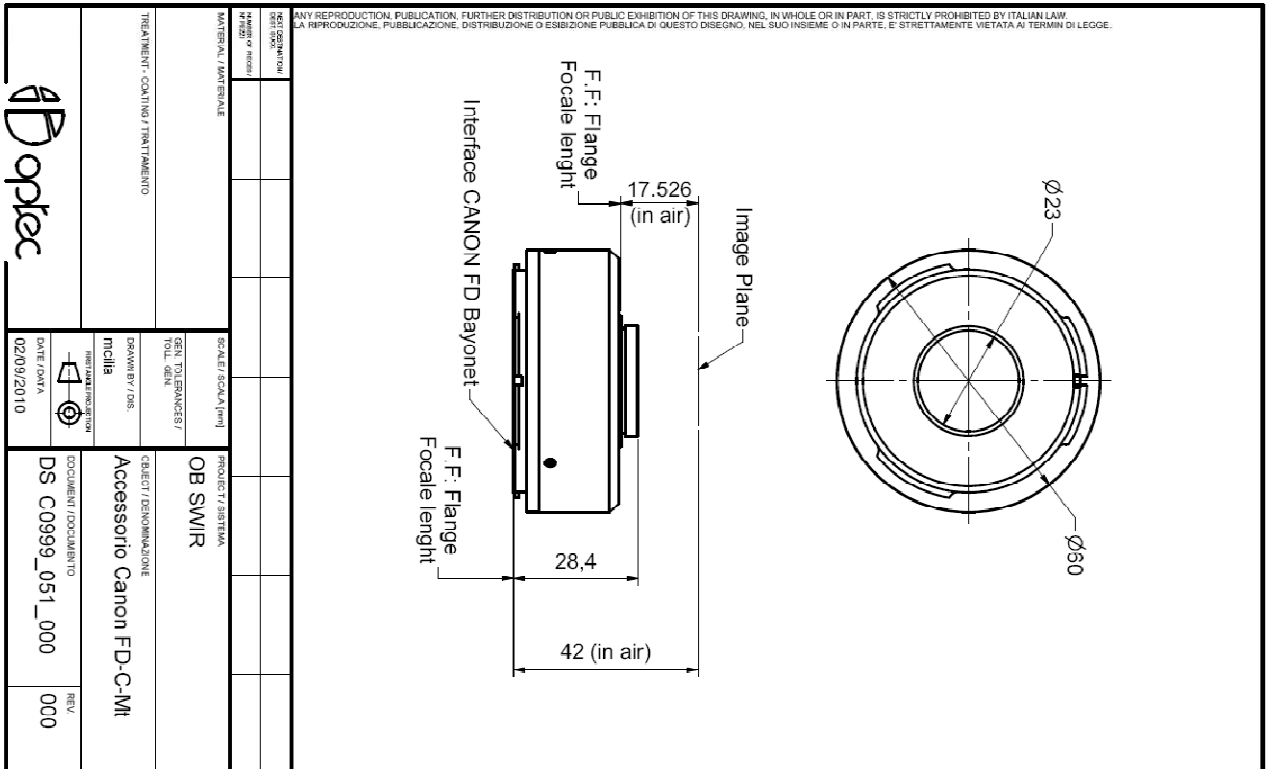
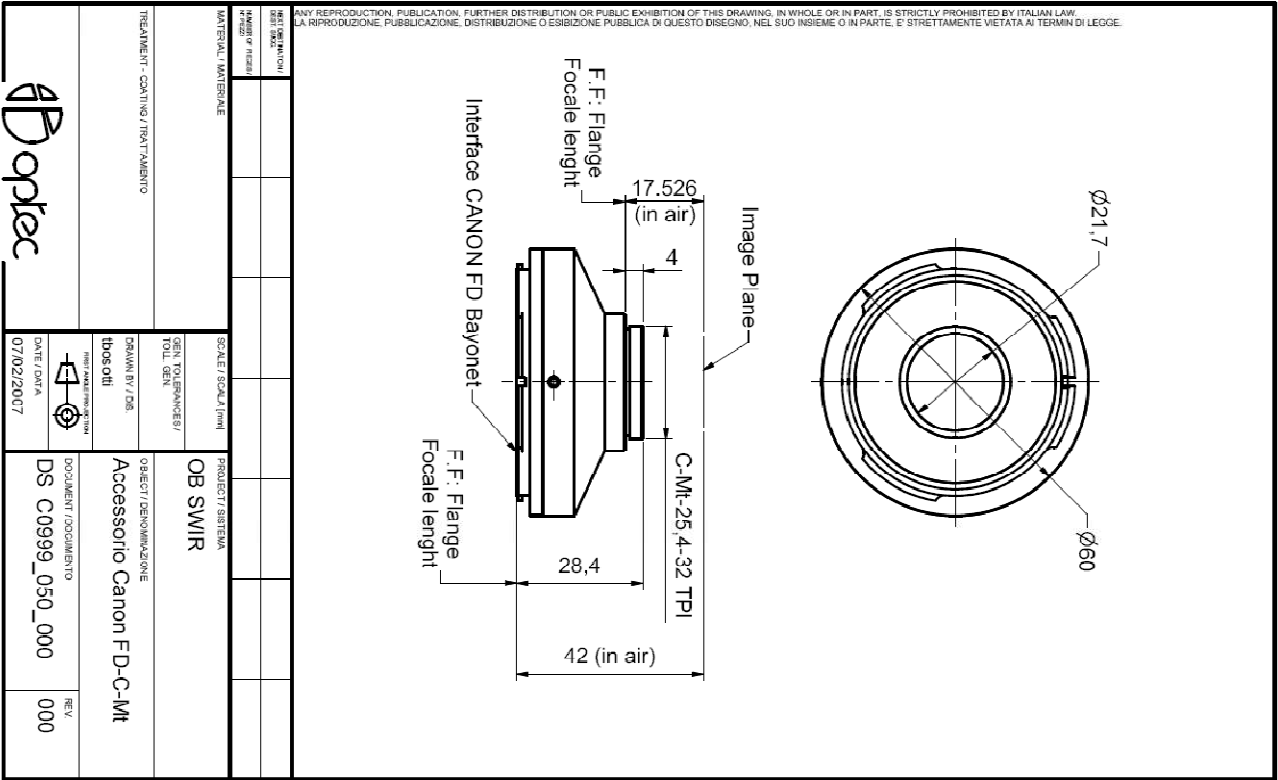
21,57 ± 0.02 (Q1)

Note:
1. Bloccare elemento in Pos. 3 con Loctite 222

MATERIAL / MATERIALE	SCALE / SCALA (P/N)	PROJECT / SISTEMA	OB SWIR
TREATMENT / COATING / TRATTAMENTO	3:1 DIM. TOLERANCES / TOLL. DIM. ±0.1	OBJECT / DENOMINAZIONE	Adapt. Canon/C-Mount with filter
	DRAWN BY / DIS. mclia	DOCUMENT / DOCUMENTO	DS C0999_041_000
	DATE / DATA 05/07/2011	VERS.	A

Specification are subject to change without notice





Specification are subject to change without notice